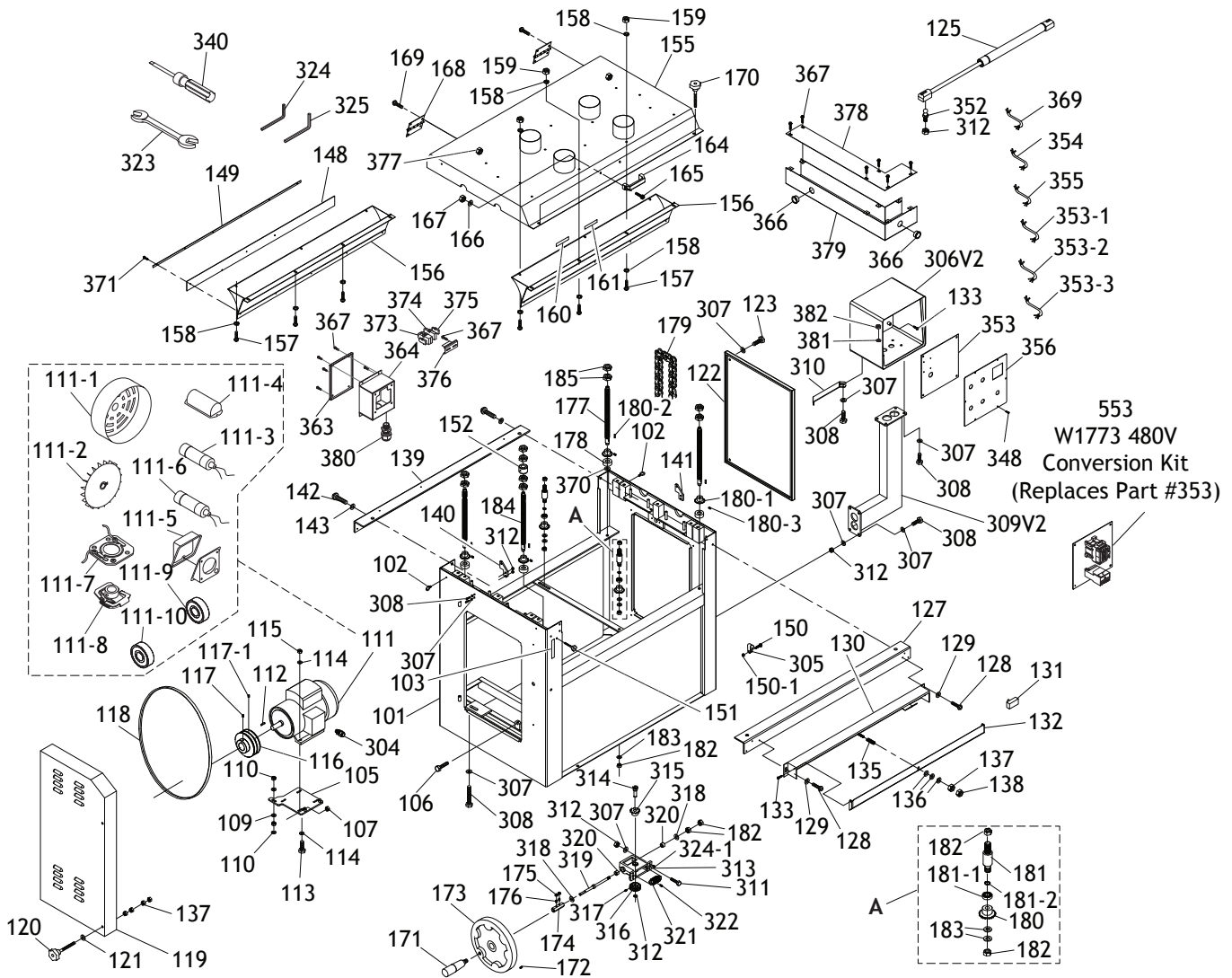


PARTS Frame



REF	PART #	DESCRIPTION
101	X1772101	FRAME
102	X1772102	LIFTING EYE BOLT 1/2-13
103	X1772103	ELEVATION SCALE
105	X1772105	MOTOR MOUNT
106	X1772106	HEX BOLT M12-1.75 X 35
107	X1772107	HEX NUT M12-1.75
109	X1772109	FLAT WASHER 12MM
110	X1772110	HEX NUT M12-1.75
111	X1772111	SANDING MOTOR 10HP 240V 1-PH (W1772)
111	X1773111	SANDING MOTOR 15HP 240V/480V 3-PH (W1773)
111-1	X1772111-1	MOTOR FAN COVER (W1772)
111-1	X1773111-1	MOTOR FAN COVER (W1773)
111-2	X1772111-2	MOTOR FAN (W1772)
111-2	X1773111-2	MOTOR FAN (W1773)
111-3	X1772111-3	R CAPACITOR 50M 350V 1-3/4 X 3-5/16 (W1772)
111-4	X1772111-4	CAPACITOR COVER (W1772)
111-5	X1772111-5	MOTOR JUNCTION BOX (W1772)

REF	PART #	DESCRIPTION
111-5	X1773111-5	MOTOR JUNCTION BOX (W1773)
111-6	X1772111-6	S CAPACITOR 300M 250V 1-3/4 X 3-3/4 (W1772)
111-7	X1772111-7	CONTACT PLATE (W1772)
111-8	X1772111-8	CENTRIFUGAL SWITCH (W1772)
111-9	X1772111-9	BALL BEARING 6308-2RS
111-10	X1772111-10	BALL BEARING 6206-2RS
112	X1772112	KEY 7 X 7 X 35
113	X1772113	HEX BOLT M10-1.5 X 45
114	X1772114	FLAT WASHER 10MM
115	X1772115	HEX NUT M10-1.5
116	X1772116	SANDING MOTOR PULLEY
117	X1772117	SET SCREW M8-1.25 X 10
117-1	X1772117-1	SET SCREW M8-1.25 X 20
118	X1772118	V-BELT B69
119	X1772119	BELT COVER
120	X1772120	KNOB BOLT M6-1 X 105
121	X1772121	FLAT WASHER 6MM

PARTS

Frame

REF	PART #	DESCRIPTION
122	X1772122	SIDE PANEL
123	X1772123	HEX BOLT M8-1.25 X 30
125	X1772125	GAS STRUT
127	X1772127	FRONT UPPER FRAME ANGLE
128	X1772128	BUTTON HD CAP SCR M6-1 X 12
129	X1772129	FLAT WASHER 6MM
130	X1772130	MOUNTING BRACKET
131	X1772131	EMERGENCY STOP SWITCH MJ2-1307
132	X1772132	EMERGENCY STOP BAR
133	X1772133	BUTTON HD CAP SCR M6-1 X 12
135	X1772135	COMPRESSION SPRING
136	X1772136	FLAT WASHER 6MM
137	X1772137	HEX NUT M6-1
138	X1772138	HEX NUT M6-1
139	X1772139	REAR UPPER FRAME ANGLE
140	X1772140	SUPPORT PLATE (LH)
141	X1772141	SUPPORT PLATE (RH)
142	X1772142	CAP SCREW M6-1 X 12
143	X1772143	FLAT WASHER 6MM
148	X1772148	RUBBER PLATE 1005 X 65 X 2MM
149	X1772149	PLATE
150	X1772150	PHLP HD SCR 10-24 X 1/2
150-1	X1772150-1	HEX NUT 10-24
151	X1772151	KNOB M8-1.25 X 55
152	X1772152	LOCK BUSHING
155	X1772155	TOP COVER
156	X1772156	DUST SCOOP
157	X1772157	BUTTON HD CAP SCR M6-1 X 10
158	X1772158	FLAT WASHER 6MM
159	X1772159	ACORN NUT M6-1
160	X1772160	ADHESIVE FOAM STRIP 15 X 95
161	X1772161	ADHESIVE FOAM STRIP 15 X 130
164	X1772164	HANDLE
165	X1772165	CAP SCREW 5/16-18 X 3/4
166	X1772166	FLAT WASHER 5/16
167	X1772167	HEX NUT 5/16-18
168	X1772168	HINGE
169	X1772169	BUTTON HD CAP SCR M6-1 X 12
170	X1772170	KNOB BOLT M6-1 X 12
171	X1772171	HANDWHEEL HANDLE
172	X1772172	SET SCREW 3/8-16 X 1/2
173	X1772173	HANDWHEEL
174	X1772174	HANDWHEEL SLEEVE
175	X1772175	SET SCREW M6-1 X 10
176	X1772176	HEX NUT M6-1
177	X1772177	LIFT SCREW M20-2.5
178	X1772178	THRUST BEARING 51103
179	X1772179	CHAIN 3/8" PITCH
180	X1772180	SPROCKET
180-1	X1772180-1	SPROCKET
180-2	X1772180-2	KEY 5 X 5 X 20
180-3	X1772180-3	SET SCREW 1/4-20 X 1/4
181	X1772181	SHAFT
181-1	X1772181-1	BALL BEARING 6000-2RS
181-2	X1772181-2	INT RETAINING RING 10MM

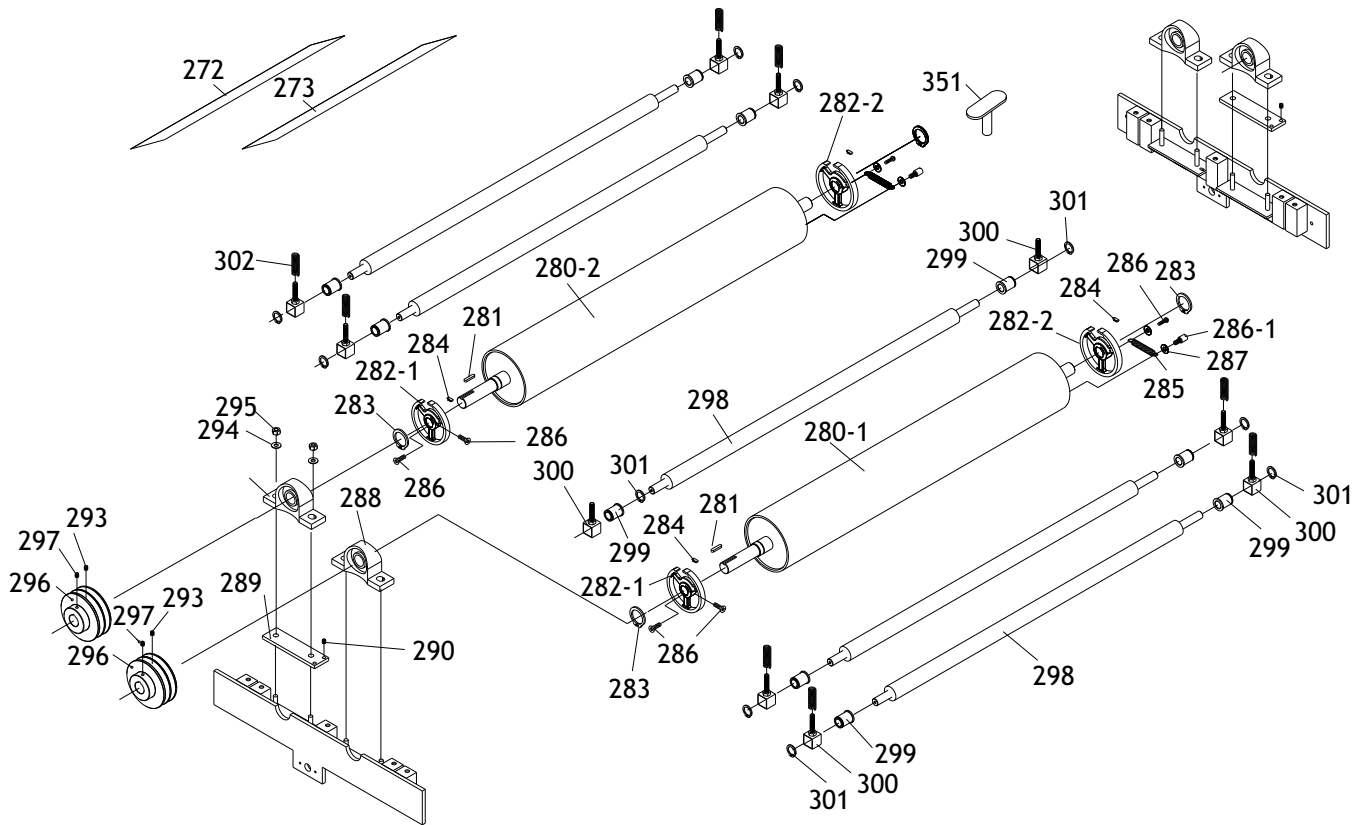
REF	PART #	DESCRIPTION
182	X1772182	HEX NUT M10-1.5
183	X1772183	FLAT WASHER 10MM
184	X1772184	DRIVING LIFT SCREW M20-2.5
185	X1772185	HEX NUT M20-2.5
304	X1772304	MOTOR JUNCTION BOX STRAIN RELIEF
305	X1772305	CABLE CLAMP
306V2	X1772306V2	ELECTRICAL BOX V2.08.13
307	X1772307	FLAT WASHER 8MM
308	X1772308	HEX BOLT M8-1.25 X 25
309V2	X1772309V2	CONTROL PANEL PEDESTAL ARM V2.08.13
310	X1772310	SUPPORT STRAP
311	X1772311	HEX BOLT M8-1.25 X 30
312	X1772312	HEX NUT M8-1.25
313	X1772313	GEARBOX
314	X1772314	CONNECTING SHAFT
315	X1772315	BUSHING
316	X1772316	GEAR 20T
317	X1772317	SET SCREW M6-1 X 10
318	X1772318	FLAT WASHER 10MM
319	X1772319	WORM SHAFT
320	X1772320	BUSHING
321	X1772321	WORM GEAR
322	X1772322	SET SCREW M6-1 X 6
323	X1772323	WRENCH 12 X 14MM OPEN-ENDS
324	X1772324	HEX WRENCH 4MM
324-1	X1772324-1	SET SCREW M6-1 X 10
325	X1772325	HEX WRENCH 5MM
340	X1772340	SCREWDRIVER PHILLIPS #2
348	X1772348	PHLP HD SCR M4-.7 X 10
352	X1772352	GAS STRUT PIVOT SCREW
353	X1772353	CONTROL ELECTRICAL BACK PLATE
353-1	X1772353-1	SANDING MOTOR CORD 10G 4W 98"
353-2	X1772353-2	FEED MOTOR CORD 14G 3W 79"
353-3	X1772353-3	CORD 16G 2W 98"
354	X1772354	CORD 6G 3W 98"
355	X1772355	GROUND WIRE 8G 1C 2.5" (GREEN)
356	X1772356	CONTROL PANEL PLATE
363	X1772363	POWER JUNCTION BOX COVER
364	X1772364	POWER JUNCTION BOX
366	X1772366	STRAIN RELIEF LT STRAIGHT
367	X1772367	FLANGE SCREW M5-.8 X 10
369	X1772369	CORD 6G 3W 86"
370	X1772370	FLAT WASHER 16MM
371	X1772371	BUTTON HD CAP SCR M6-1 X 10
373	X1772373	TERMINAL BAR 1P
374	X1772374	GROUND TERMINAL BAR 1P
375	X1772375	TERMINAL BAR LOCKING SEGMENT
376	X1772376	TERMINAL BAR MOUNT
377	X1772377	HEX NUT M6-1
378	X1772378	POWER CORD CONDUIT COVER
379	X1772379	POWER CORD CONDUIT
380	X1772380	STRAIN RELIEF PGB 29-25 ST PLASTIC
381	X1772381	EXT TOOTH WASHER 5/16
382	X1772382	HEX NUT 5/16-18
553	X1773553	480V CONVERSION KIT (W1773)

Conveyor

REF	PART #	DESCRIPTION
185	X1772185	HEX NUT M20-2.5
186	X1772186	TABLE
187	X1772187	TABLE SUPPORT (FL, RR)
188	X1772188	TABLE SUPPORT (FR, RL)
189	X1772189	HEX BOLT M8-1.25 X 30
190	X1772190	LOCK WASHER 8MM
191	X1772191	OUTFEED ROLLER SUPPORT BRACKET (LH)
192	X1772192	OUTFEED ROLLER SUPPORT BRACKET (RH)
193	X1772193	HEX BOLT M8-1.25 X 30
194	X1772194	LOCK WASHER 8MM
195	X1772195	HEX BOLT M12-1.75 X 80
196	X1772196	HEX NUT M12-1.75
197	X1772197	OUTFEED ROLLER
197-1	X1772197-1	OUTFEED ROLLER SHAFT
198	X1772198	BALL BEARING 6204-2RS
199	X1772199	LOCK COLLAR
200	X1772200	SET SCREW M6-1 X 10
201	X1772201	OUTFEED ROLLER COVER (LH)
202	X1772202	OUTFEED ROLLER COVER (RH)
203	X1772203	BUTTON HD CAP SCR M6-1 X 12
204	X1772204	FLAT WASHER 6MM
205	X1772205	CONVEYOR BELT 930 X 2290MM
206	X1772206	INFEED ROLLER SUPPORT BRACKET (LH)
207	X1772207	POINTER
208	X1772208	PHLP HD SCR M5-.8 X 10
209	X1772209	HEX BOLT M8-1.25 X 30
210	X1772210	INFEED ROLLER
211	X1772211	KEY 5 X 5 X 20
212	X1772212	FLANGE BEARING UCFL204
213	X1772213	HEX BOLT M10-1.5 X 25
214	X1772214	FLAT WASHER 10MM
215	X1772215	INFEED ROLLER SUPPORT BRACKET (RH)
216	X1772216	HEX BOLT M8-1.25 X 30
217	X1772217	GROMMET
219	X1772219	ROLLER SPROCKET
220	X1772220	SET SCREW M8-1.25 X 10
221	X1772221	CHAIN 3/8" PITCH
222	X1772222	MOTOR SPROCKET
223	X1772223	KEY 5 X 5 X 35
224	X1772224	SET SCREW M8-1.25 X 10
225	X1772225	FEED GEARBOX
225-1	X1772225-1	OIL FILL PLUG 5/8-18
225-2	X1772225-2	PHLP HD SCR M3-.5 X 10
226	X1772226	FLAT WASHER 8MM
227	X1772227	HEX BOLT M8-1.25 X 40
228	X1772228	HEX NUT M8-1.25
229	X1772229	GEARBOX SHAFT SLEEVE
230	X1772230	SET SCREW M8-1.25 X 10
231	X1772231	KEY 5 X 5 X 80
232	X1772232	EXT RETAINING RING 32MM
233	X1772233	COLLAR
234	X1772234	COMPRESSION SPRING

REF	PART #	DESCRIPTION
235	X1772235	GEARBOX INSIDE PULLEY
236	X1772236	V-BELT AX25
237	X1772237	GEARBOX OUTSIDE PULLEY
238	X1772238	FEED MOTOR 1/3HP 240V 1-PH (W1772)
238	X1773238	FEED MOTOR 1/3HP 240V/480V 3-PH (W1773)
238-1	X1772238-1	MOTOR FAN COVER (W1772)
238-1	X1773338-1	MOTOR FAN COVER (W1773)
238-2	X1772238-2	MOTOR FAN (W1772)
238-2	X1773238-2	MOTOR FAN (W1773)
238-3	X1772238-3	CAPACITOR COVER (W1772)
238-4	X1772238-4	S CAPACITOR 75M 125V (W1772)
238-5	X1772238-5	CAPACITOR COVER (W1772)
238-6	X1772238-6	R CAPACITOR 20M 300V 1-5/16 X 2 (W1772)
238-7	X1772238-7	FEED MOTOR JUNCTION BOX (W1772)
238-7	X1773238-7	FEED MOTOR JUNCTION BOX (W1773)
238-8	X1772238-8	CENTRIFUGAL SWITCH (W1772)
238-9	X1772238-9	CONTACT PLATE (W1772)
238-10	X1772238-10	BALL BEARING 6203-2RS
238-11	X1772238-11	BALL BEARING 6202-2RS
239	X1772239	HEX BOLT M8-1.25 X 25
240	X1772240	FLAT WASHER 8MM
241	X1772241	KEY 5 X 5 X 55
242	X1772242	HEX NUT M8-1.25
243	X1772243	MOTOR SHAFT SLEEVE
244	X1772244	SET SCREW M8-1.25 X 10
245	X1772245	VS INSIDE PULLEY
246	X1772246	SET SCREW M6-1 X 10
247	X1772247	BALL BEARING 608-2RS
248	X1772248	SHAFT
249	X1772249	HEX BOLT M6-1 X 12
250	X1772250	LOCK WASHER 6MM
251	X1772251	VS OUTSIDE PULLEY
252	X1772252	EXT RETAINING RING 17MM
253	X1772253	BALL BEARING 6003ZZ
254	X1772254	EXT RETAINING RING 35MM
255	X1772255	PULLEY NUT 1/2-12
256	X1772256	HEX NUT M10-1.5
257	X1772257	KNURLED COLLAR
258	X1772258	SET SCREW M6-1 X 10
259	X1772259	HANDWHEEL
260	X1772260	INT RETAINING RING 10MM
261	X1772261	SLEEVE
262	X1772262	L-BAR
263	X1772263	LOCK NUT M6-1
264	X1772264	KNOB SUPPORT PLATE
269	X1772269	BUTTON HD CAP SCR M6-1 X 12
270	X1772270	CONVEYOR MOTOR COVER DOOR
271	X1772271	CONVEYOR MOTOR COVER
274	X1772274	PHLP HD SCR M5-.8 X 6
277	X1772277	INFEED GUARD
278	X1772278	HEX BOLT M6-1 X 12
279	X1772279	FLAT WASHER 6MM

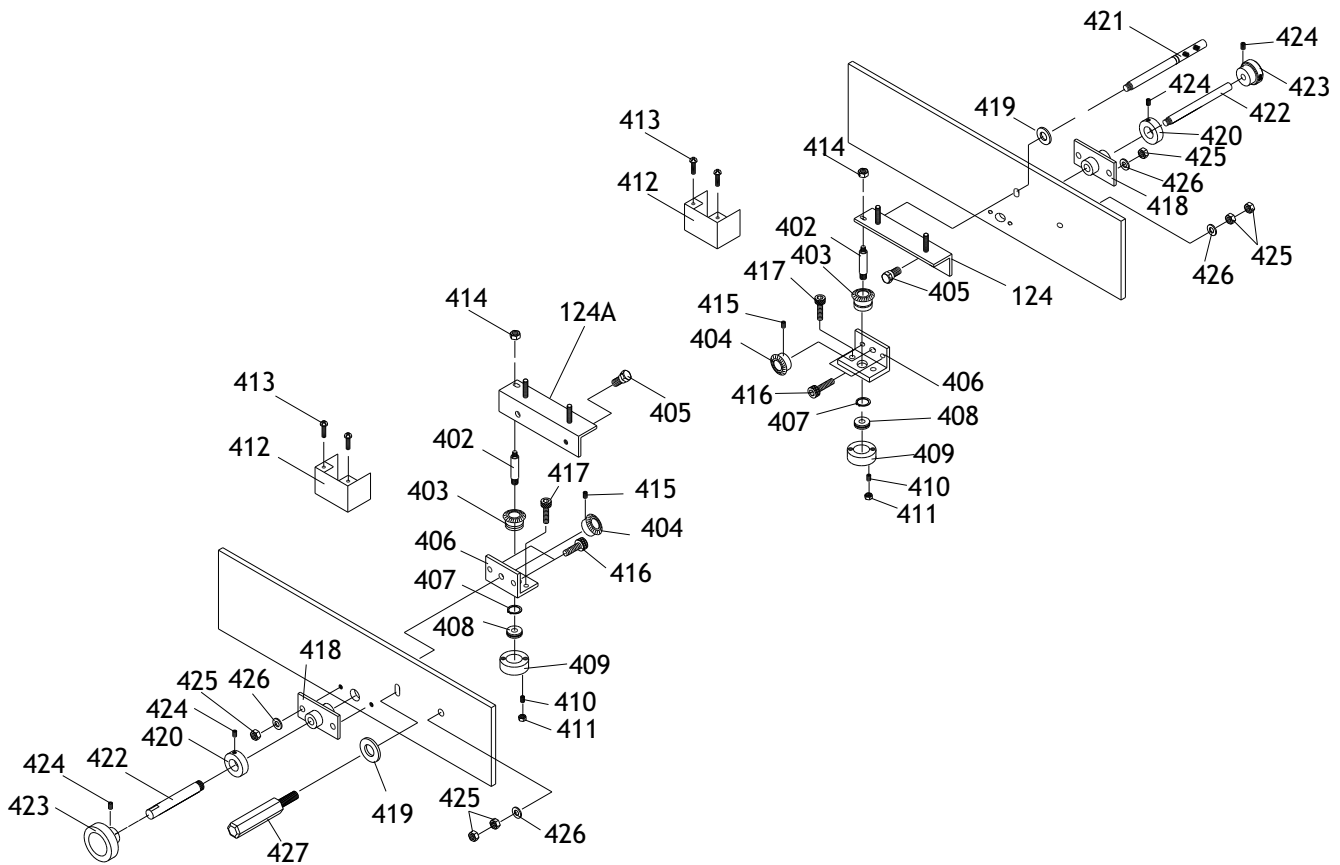
Roller & Drum



REF	PART #	DESCRIPTION
272	X1772272	SANDPAPER ROLL #60
273	X1772273	SANDPAPER ROLL #100
280-1	X1772280-1	SANDING DRUM (FRONT)
280-2	X1772280-2	SANDING DRUM (REAR)
281	X1772281	KEY 7 X 7 X 40
282-1	X1772282-1	SANDPAPER TENSIONING WHEEL (LH)
282-2	X1772282-2	SANDPAPER TENSIONING WHEEL (RH)
283	X1772283	EXT RETAINING RING 34MM
284	X1772284	SANDPAPER HOLDING CLIP
285	X1772285	EXTENSION SPRING
286	X1772286	BUTTON HD CAP SCR M6-1 X 12
286-1	X1772286-1	SLOTTED SHOULDER SCREW M6-1 X 12
287	X1772287	FLAT WASHER 6MM
288	X1772288	PILLOW BEARING UCP206

REF	PART #	DESCRIPTION
289	X1772289	ADJUSTMENT PLATE
290	X1772290	SET SCREW 5/16-24 X 1/2
293	X1772293	SET SCREW M8-1.25 X 20
294	X1772294	FLAT WASHER 10MM
295	X1772295	LOCK NUT M10-1.5
296	X1772296	SANDING DRUM PULLEY
297	X1772297	SET SCREW M8-1.25 X 15
298	X1772298	HOLD DOWN ROLLER
299	X1772299	HOLD DOWN ROLLER BUSHING
300	X1772300	ROLLER BUSHING SUPPORT
301	X1772301	EXT RETAINING RING 19MM
302	X1772302	ROLLER COMPRESSION SPRING
351	X1772351	SPRING TENSION TOOL

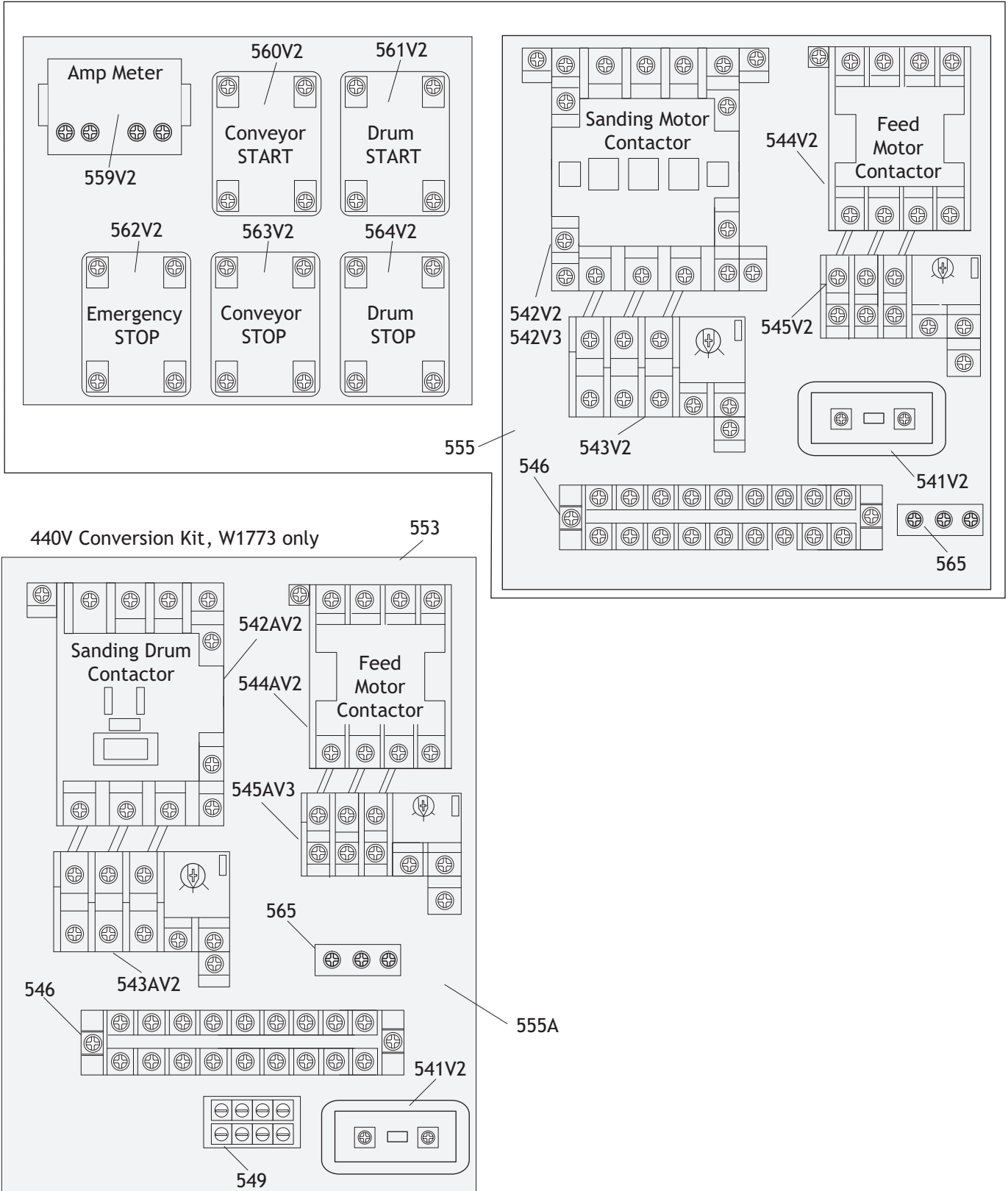
Micro-Adjustment



REF	PART #	DESCRIPTION
124	X1772124	BEVEL GEAR COVER (RH)
124A	X1772124A	BEVEL GEAR COVER (LH)
402	X1772402	MICRO-ADJUST SCREW 1/4-20
403	X1772403	BEVEL GEAR A 25T
404	X1772404	BEVEL GEAR B 25T
405	X1772405	STEP BOLT 5/16-18
406	X1772406	MOUNTING BRACKET
407	X1772407	EXT RETAINING RING 20MM
408	X1772408	THRUST BEARING 51101
409	X1772409	THRUST BEARING SEAT
410	X1772410	SET SCREW 10-24 X 1/2
411	X1772411	HEX NUT 10-24
412	X1772412	DUST COVER
413	X1772413	TAP SCREW #10 X 3/8

REF	PART #	DESCRIPTION
414	X1772414	LOCK NUT 1/4-20
415	X1772415	SET SCREW 10-24 X 1/4
416	X1772416	CAP SCREW 5/16-18 X 1-1/4
417	X1772417	CAP SCREW 1/4-20 X 5/8
418	X1772418	DRIVE SHAFT BRACKET
419	X1772419	FLAT WASHER 5/16
420	X1772420	LOCK COLLAR
421	X1772421	LOCK LEVER
422	X1772422	DRIVE SHAFT
423	X1772423	CONTROL KNOB
424	X1772424	SET SCREW 1/4-20 X 5/16
425	X1772425	HEX NUT 5/16-18
426	X1772426	FLAT WASHER 5/16
427	X1772427	LOCK HANDLE

Electrical Components



Electrical Components

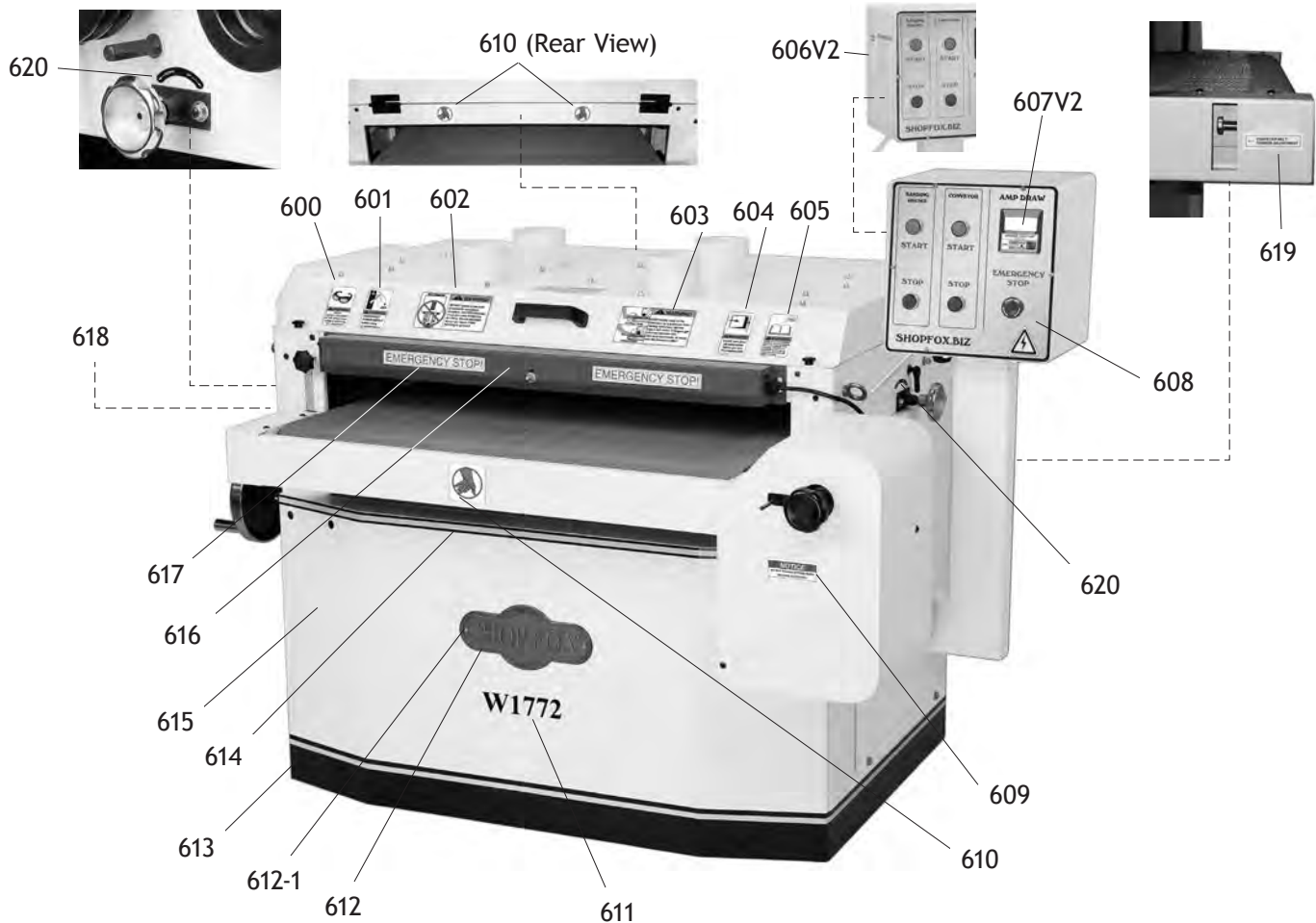
REF	PART #	DESCRIPTION
541V2	X1772541V2	CURRENT COIL TH30 100/5A V2.11.12
542V2	X1772542V2	CONTACTOR TECO CU-50 220V (W1772 240V)
542V3	X1773542V3	CONTACTOR TECO CU-50 220V (W1773 240V)
542AV2	X1773542AV2	CONTACTOR TECO CU-40 440V (W1773 480V)
543V2	X1772543V2	OL RELAY TECO RHU-80K3 (W1772, W1773 240V)
543AV2	X1773543AV2	OL RELAY TECO RHU-80K2 (W1773 480V)
544V2	X1772544V2	CONTACTOR TECO CU-11 220V (W1772, W1773 240V)
544AV2	X1773544AV2	CONTACTOR TECO CU-11 440V (W1773 480V)
545V2	X1772545V2	OL RELAY TECO RHU-10K1 2.3-3.2A (W1772 240V)
545V2	X1773545V2	OL RELAY TECO RHU-10K1 1.4-2A (W1773 240V)
545AV3	X1773545AV3	OL RELAY TECO RHU-10K1 0.75-1A (W1773 480V)
546	X1772546	TERMINAL BAR 9P

REF	PART #	DESCRIPTION
549	X1773549	AMP METER TRANSFORMER (W1773 480V)
553	X1772553	480V CONVERSION KIT (W1773)
555	X1772555	ELECTRICAL PANEL (W1772, W1773 240V)
555A	X1773555A	ELECTRICAL PANEL (W1773 440V)
559V2	X1772559V2	ANALOG AMP METER 100/5A V2.11.13
560V2	X1772560V2	START BUTTON GBF-221 22MM GRN V2.11.13
561V2	X1772561V2	START BUTTON GBF-221 22MM GRN V2.11.13
562V2	X1772562V2	E-STOP BUTTON GLEB-221 22MM V2.11.13
563V2	X1772563V2	STOP BUTTON GBF-221 22MM RED V2.11.13
564V2	X1772564V2	STOP BUTTON GBF-221 22MM RED V2.11.13
565	X1772565	GROUND TERMINAL

Machine Labels & Cosmetics

⚠️ WARNING

Safety labels warn about machine hazards and how to prevent serious personal injury. The owner of this machine **MUST** maintain the original location and readability of all labels on this machine. If any label is removed or becomes unreadable, **REPLACE** that label before allowing machine to be operated again. Contact us at (360) 734-3482 or www.woodstockint.com to order new labels.



REF	PART #	DESCRIPTION
600	X1772600	SAFETY GLASSES LABEL
601	X1772601	DISCONNECT POWER LABEL
602	X1772602	FEED ONLY ONE LABEL
603	X1772603	HAND PINCH IN BELT LABEL
604	X1772604	KEEP DOOR CLOSED
605	X1772605	READ MANUAL LABEL
606V2	X1772606V2	MACHINE ID LABEL CSA (W1772)
606V2	X1773606V2	MACHINE ID LABEL CSA (W1773)
607V2	X1772607V2	AMP LOAD LABEL CSA (W1772)
607V2	X1773607V2	AMP LOAD LABEL CSA (W1773)
608	X1772608	CONTROL PANEL PLATE LABEL
609	X1772609	DON'T CHANGE SPEEDS LABEL
610	X1772610	HAND WARNING

REF	PART #	DESCRIPTION
611	X1772611	MODEL NUMBER LABEL (W1772)
611	X1773611	MODEL NUMBER LABEL (W1773)
612	X1772612	SHOP FOX LOGO PLATE
612-1	X1772612-1	TAP SCREW M4 X 8
613	X1772613	DECORATIVE STRIPE TAPE (BOTTOM)
614	X1772614	DECORATIVE STRIPE TAPE (TOP, DBL THIN)
615	X1772615	SHOP FOX WHITE PAINT
616	X1772616	SHOP FOX SAFETY RED
617	X1772617	EMERGENCY STOP LABEL
618	X1772618	BELT TENSION ADJUST LABEL (LH)
619	X1772619	BELT TENSION ADJUST LABEL (RH)
620	X1772620	MICRO-ADJUST KNOB LABEL