



# Instruction Sheet

## Model D3238

### Small 3 Shelf Cart

#### INTRODUCTION

The SHOP FOX® Model D3238 Small 3 Shelf Cart is perfect for light duty applications and can maneuver easily in tight spaces.

Check the inventory list below **Figure 1** to ensure all the parts are present.

To assemble the Model D3238, do these steps:

1. Slide the "U" shaped side bars through the inside of the top shelf (with the SHOP FOX® logo).
2. Secure the top shelf to the side bar with the provided hardware.
3. Install the middle shelf and secure it to the middle of the side bars.
4. Slide the third shelf into place on the side bars and secure it in place.
5. Install the 4 casters onto the ends of the side bars. Make sure that the locking casters are on the same end.



**Figure 1.** Cart fully assembled.

#### INVENTORY LIST

- (4) Casters (2 with locks)
- (2) "U" Shaped Side Bars
- (3) Shelves
- Hardware Bag 1
  - (36) Button Head Screws M6-1 x 35
  - (36) Hex Nuts M6-1
  - (36) Flat Washers 6mm
  - (36) Lock Washers 6mm

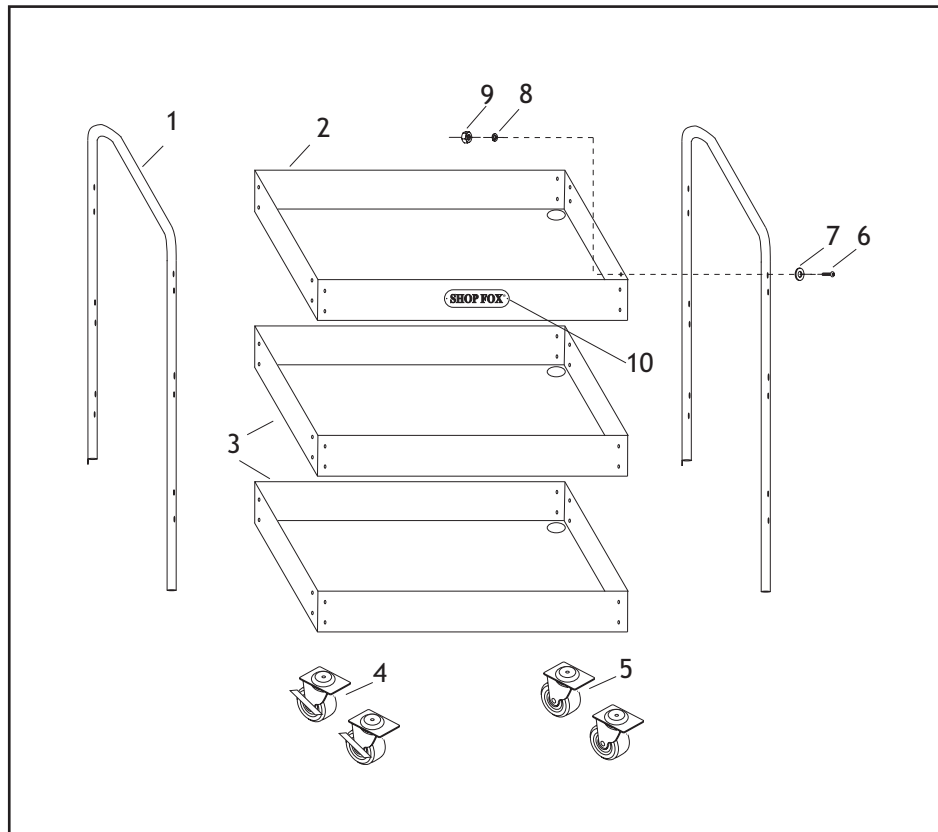
**CAUTION—THIS CART IS NOT INTENDED TO BE USED BY CHILDREN!**

COPYRIGHT © BY WOODSTOCK INTERNATIONAL, INC.

**WARNING: NO PORTION OF THIS DOCUMENT MAY BE REPRODUCED IN ANY SHAPE OR FORM WITHOUT THE WRITTEN APPROVAL OF WOODSTOCK INTERNATIONAL, INC.**

NOVEMBER 2003, PRINTED IN CHINA.

# D3238 Parts Diagram



REF	PART #	DESCRIPTION
1	XD3238001	"U" SHAPED SIDE BAR
2	XD3238002	TOP SHELF
3	XD3238003	SHELF
4	XD3238004	CASTER W/ LOCK
5	XD3238005	CASTER
6	XD3238006	BUTTON HD SCR M6-1 X 35
7	XPW03M	FLAT WASHER 6MM
8	XPLW03M	LOCK WASHER 6MM
9	XPN01M	HEX NUT M6-1
10	XD3238010	SHOP FOX LOGO STICKER

If you have questions please contact Woodstock International at 1-360-734-3482 or send e-mail to: [tech-support@shopfox.biz](mailto:tech-support@shopfox.biz).